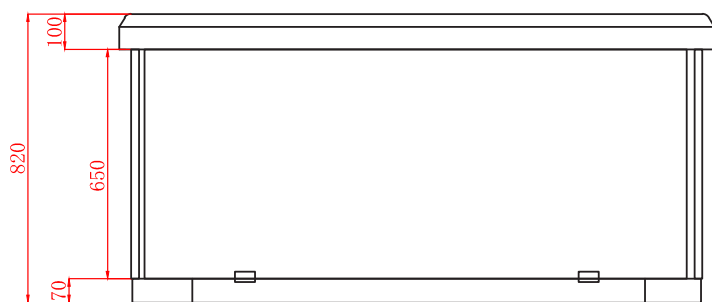
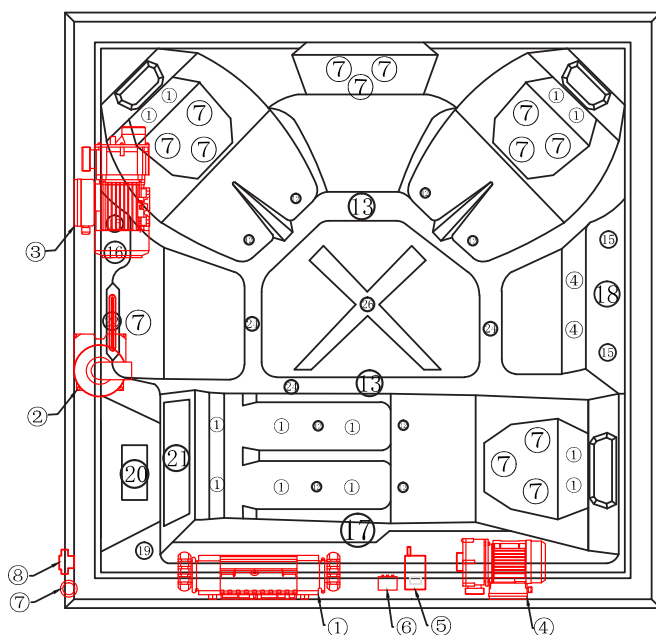
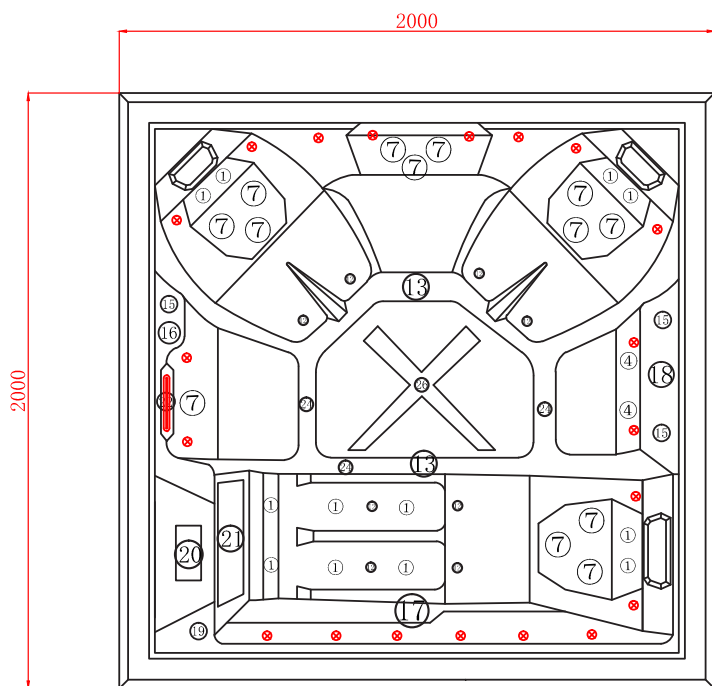


GEORGIA

COLLECTION HARMONIE



| Item | name |
|------|---------------------------|
| 1 | Balboa BP6013G1 System |
| 2 | Air Blower (APR400) |
| 3 | LX Whirlpool Pump (LP300) |
| 4 | LX Circulate Pump (WTC50) |
| 5 | Ozoner Generator |
| 6 | LED Synchronizer |
| 7 | Cable hole |
| 8 | Drain |

| Item | name | quantity | Item | name | quantity |
|------|----------------------|----------|---------------|----------------------|----------|
| 1 | 2" directional jet | 12 | 4 | 2.5" double roto jet | 2 |
| 7 | 3.5" double roto jet | 13 | 12 | air jet | 8 |
| 13 | 2" suction | 2 | 15 | Air regulator | 3 |
| 16 | Water regulator | 1 | 17 | LED light | 1 |
| 18 | Water valve | 1 | 19 | Aromatherapy | 1 |
| 20 | TP600 panel | 1 | 21 | Double skimmer | 1 |
| 22 | Waterfall | 1 | 23 | Circulation jets | 3 |
| 24 | Drain | 1 | 24 | Waterline LED lights | 20 |