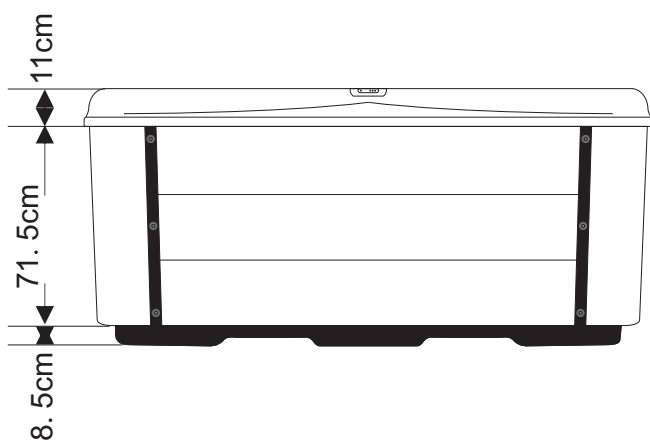
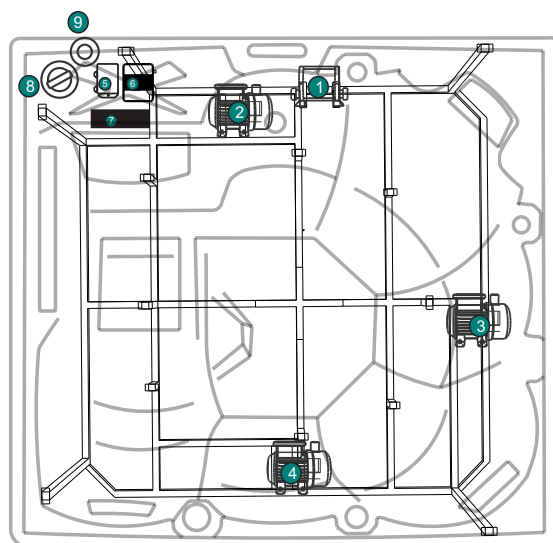
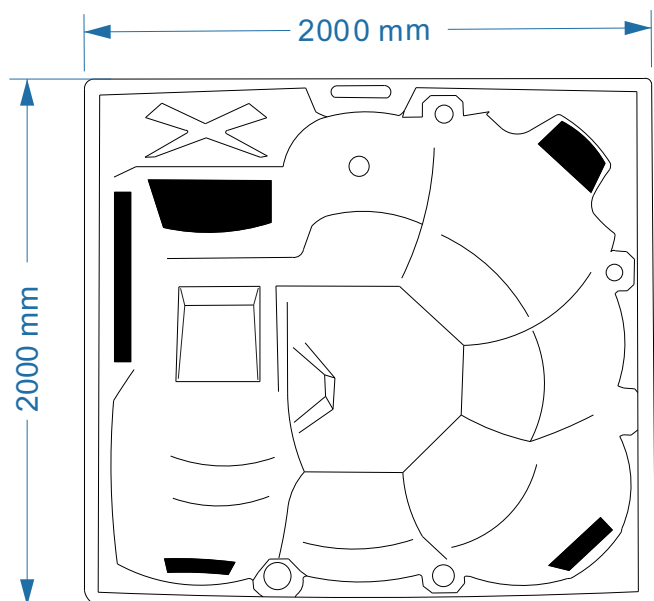


BLUE BAY

COLLECTION CONTEMPORAINE



| | |
|---|--------------------------|
| 1 | Controller |
| 2 | LX Circ pump(WTC-50M) |
| 3 | LX Whirlpool Pump(LP200) |
| 4 | LX Whirlpool Pump(LP200) |
| 5 | LED Synchronizer |
| 6 | Ozoner Generator |
| 7 | Transfer |
| 8 | Drain |
| 9 | Cable |