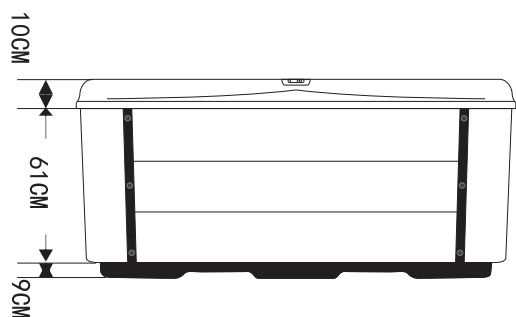
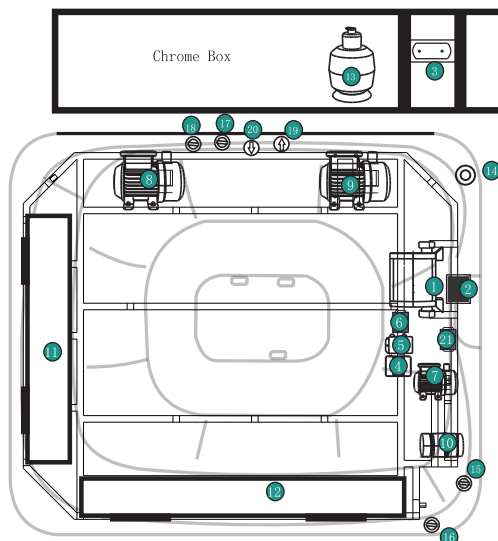
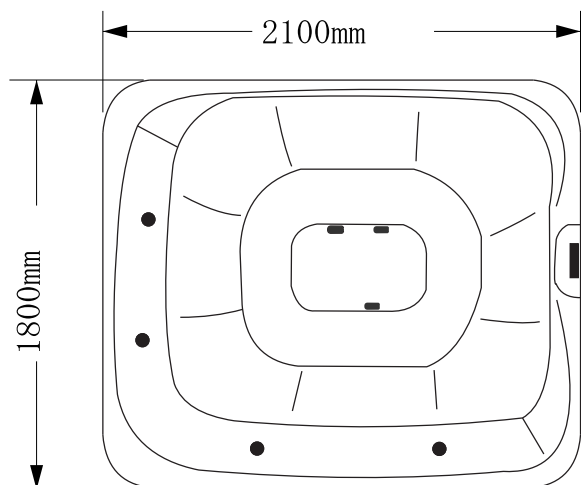


ANDONIA ALUMINIUM

COLLECTION SPA À DÉBORDEMENT



1	Balboa BP System
2	Controller for water-tank
3	Extra control panel
4	Ozoner Generator
5	LED Synchronizer
6	Transformer into 12V for magnetic valve
7	LX Circulate Pump (WTC50M)
8	LX Whirlpoo Pump2 (LP300)
9	LX Whirlpoo Pump1 (LP200)
10	LX Air Blower (APB300)
11	Watertank1 (1. 1M)
12	Watertank2 (1. 4M)
13	Sand Filter
14	Cable
15	Spa Bottom Draining Outlet
16	Watertank Bottom Draining Outlet
17	Watertank Automatic Filling Inlet
18	Watertank Top Draining Outlet
19	Water Inlet (From Heater to Sandfilter)
20	Water Outlet (From Sandfilter to Spa)
21	MagneticValve