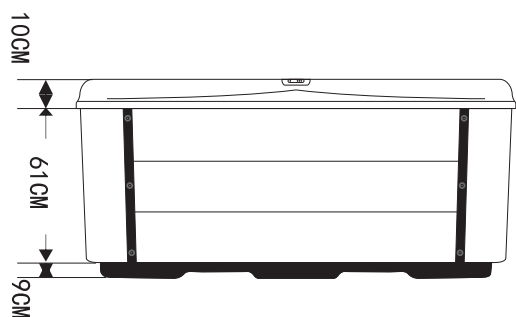
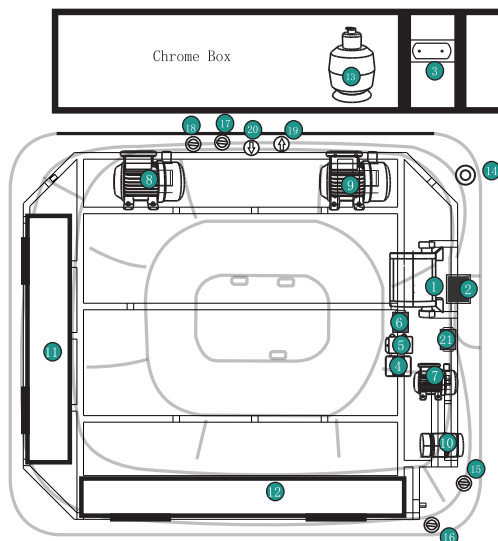
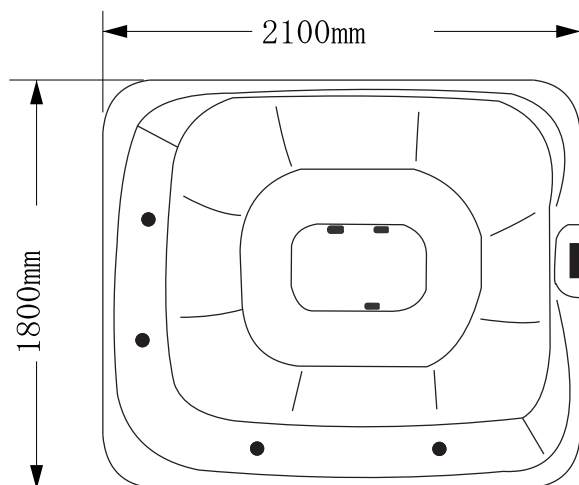


ANDONIA

COLLECTION SPA À DÉBORDEMENT



| | |
|----|---|
| 1 | Balboa BP System |
| 2 | Controller for water-tank |
| 3 | Extra control panel |
| 4 | Ozoner Generator |
| 5 | LED Synchronizer |
| 6 | Transformer into 12V for magnetic valve |
| 7 | LX Circulate Pump (WTC50M) |
| 8 | LX Whirlpoo Pump2 (LP300) |
| 9 | LX Whirlpoo Pump1 (LP200) |
| 10 | LX Air Blower (APB300) |
| 11 | Watertank1 (1. 1M) |
| 12 | Watertank2 (1. 4M) |
| 13 | Sand Filter |
| 14 | Cable |
| 15 | Spa Bottom Draining Outlet |
| 16 | Watertank Bottom Draining Outlet |
| 17 | Watertank Automatic Filling Inlet |
| 18 | Watertank Top Draining Outlet |
| 19 | Water Inlet (From Heater to Sandfilter) |
| 20 | Water Outlet (From Sandfilter to Spa) |
| 21 | MagneticValve |