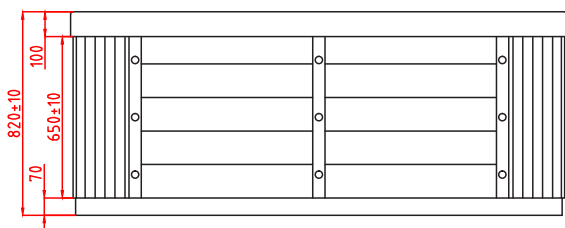
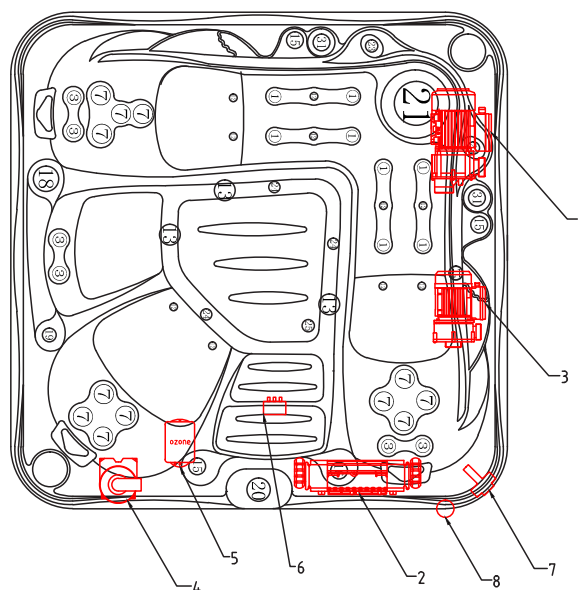
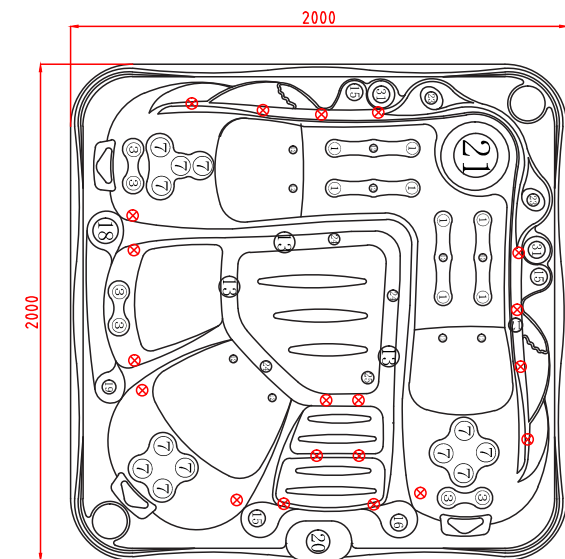


SUMATRA

COLLECTION PURE

VUE TECHNIQUE

AD320-1P



Item	name	number	Item	name	number
1	LX Whirlpool Pump (LP300)	1	2	Balboa BP6013C2 System	1
3	LX Circulate Pump (WTC50)	1	4	Air Blower	1
5	Ozoner Generator	1	6	LED Synchronizer	1
7	Drain	1	8	Cable Hole	1

Item	name	hole size	number	Item	name	hole size	number
1	2" directional jet	Ø38	8	3	2.5" directional jet	Ø46	6
7	3.5" double roto jet	Ø65	12	12	air jet	Ø30	10
13	200GPM suction	Ø85	3	15	air regulator	Ø44	3
16	water controler	Ø56	1	17	LED light	Ø95	1
18	water diverter	Ø80	1	19	aromatherapy	Ø44	1
20	TP500S panel	/	1	21	filter	/	1
23	water scape	Ø38	2	24	Circulating nozzle	Ø30	3
25	drain	Ø32	1	31	Cup stand	Ø66	20
⊗	Waterline LED lights	Ø12	20				