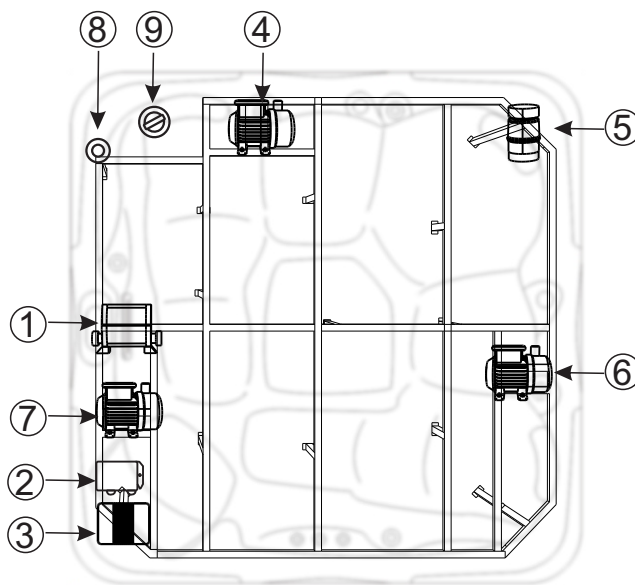
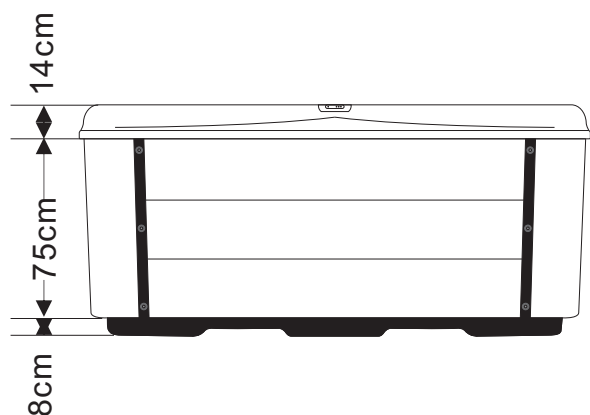
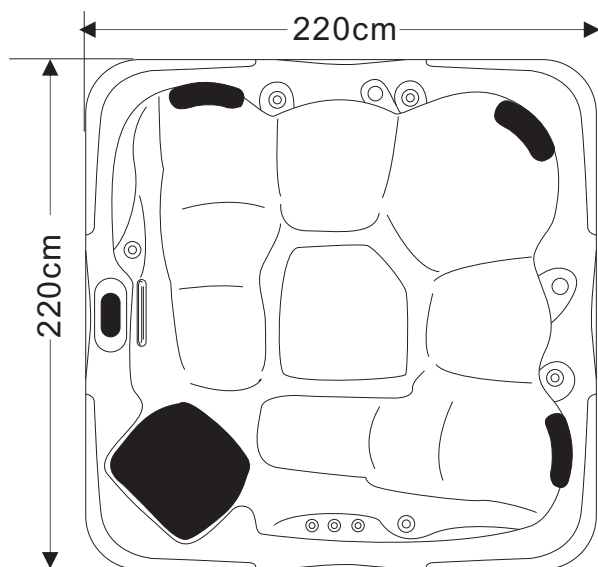


INDORA

COLLECTION RÉVÉLATION




| | |
|---|----------------------------|
| 1 | Balboa BP System |
| 2 | LED Synchronizer(KLEDS-1) |
| 3 | Ozoner Generator(KOZG-1) |
| 4 | LX Whirlpool Pump1(LP300) |
| 5 | Air Blower(APB400) |
| 6 | LX Whirlpool Pump2(LP200) |
| 7 | LX Circulate Pump(WTC-50M) |
| 8 | Cable |
| 9 | Drain |

INDORA

COLLECTION RÉVÉLATION



| | | | |
|---|---------------------------|---|-------------------------|
|  | Air Valve |  | Air Jet |
|  | Outlet for circulate pump |  | KJ-50# |
|  | Big LED |  | KJ-3.5 |
|  | Ozoner mixer |  | KJ-3.5R |
|  | Drain |  | KJ-5 |
|  | Suction |  | KJ-5R |
|  | Diverter Valve |  | Waterfall-control Valve |
|  | Topside Panel |  | Fountain |
|  | Pillow |  | Cup Holder |
|  | Filter Cartridge |  | Waterfall |